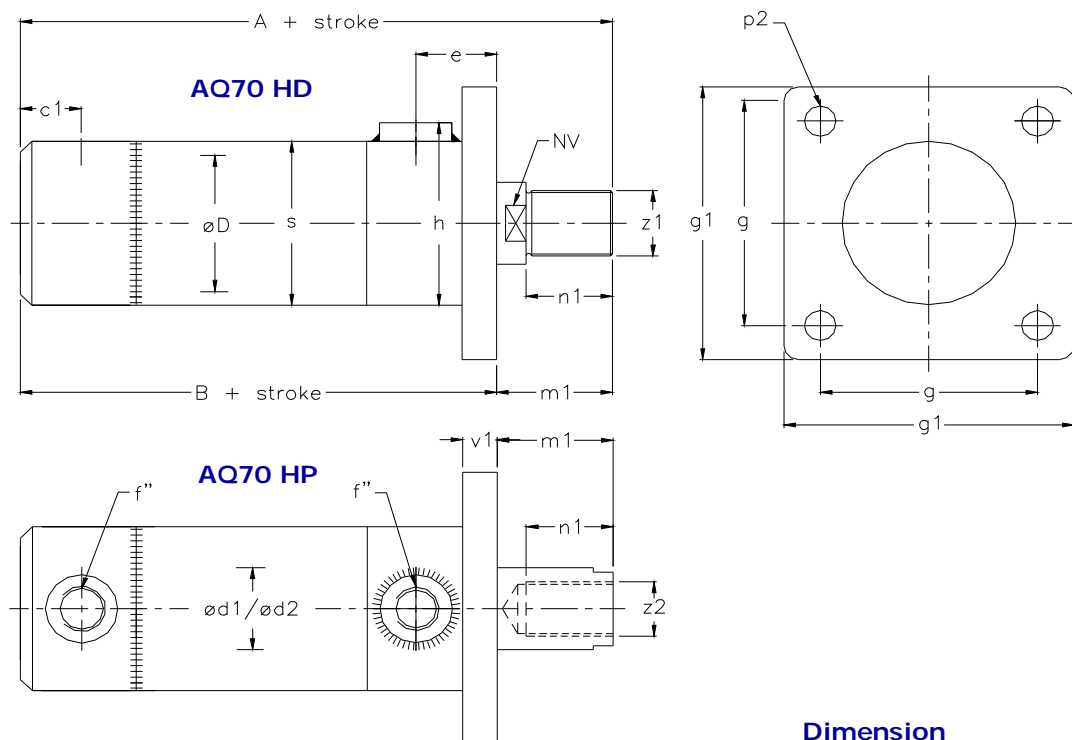


AQ70 HD and HP cylinders



Dimension

øD	25	32	40	50	63	80
ød1/ød2	12	16	25	30	40	50
A	133	166	176	213	228	269
B	98	131	141	173	183	209
c1	13	16	17	21	22	26
e	26	29	30	33	39	39
f''	1/8 "	1/4 "	1/4 "	3/8 "	3/8 "	1/2 "
g	50	50	65	75	85	110
g1	70	70	90	100	120	140
h	40	53	58	68	75	100
m1	35	35	35	40	45	60
n1	25	25	25	30	35	40
NV	10	13	22	27	36	42
p2	9	9	11	11	14	14
s	30	40	50	60	75	95
z1	M10x1,5	M12x1,75	M22x2,00	M24x1,50	M36x2,00	M36x2,00
z2	M8x1,25	M8x1,25	M16x2,00	M20x2,50	M24x2,00	M24x2,00
v1	8	9	9	11	15	18

How to order:



AQ70 HD x1 / x2 * x3

x1: Inside diameter : 50 mm
 x2: Piston rod : 30 mm
 x3: Stroke : 200 mm

Ordering code: **AQ70 HD 50/30*200**

Eksempel på ordre:



AQ70 HD x1 / x2 * x3

x1: Indvendig diameter : 50 mm
 x2: Stempelstang : 30 mm
 x3: Slaglængde : 200 mm

Ordre kode: **AQ70 HD 50/30*200**